

CAMION GRUA CON BRAZO ARTICULADO

HIAB X HIPRO 1058

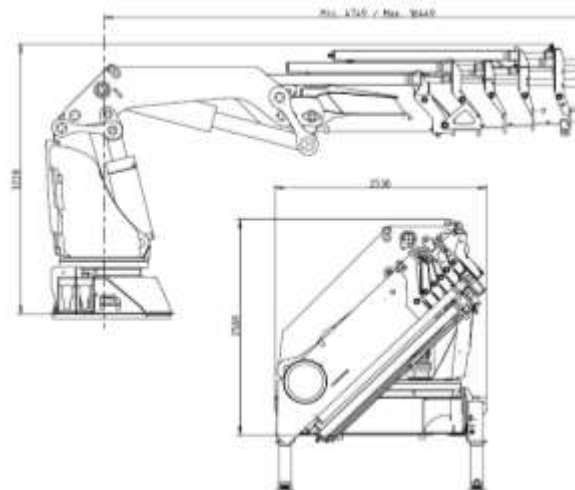


Contacto SIMAR PERU:
Email: comercial@simar.pe
Celular: 947-368-014
Web: www.simar.pe

1. Especificaciones técnicas

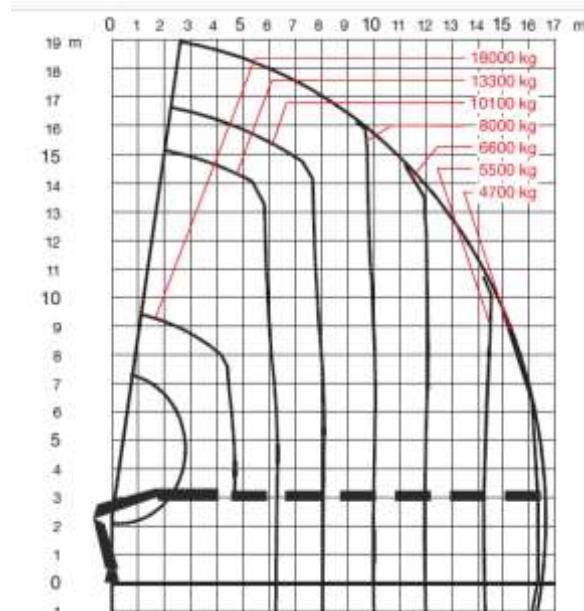
Technical data	HIAB X-HIPRO 1058 EP-6	HIAB X-HIPRO 1058 E-10	HIAB X-HIPRO 1058 E-8 + JIB 150X-6
Max. lifting capacity (kNm)	825	794	803
Outreach, hydraulic extensions (m)	16.4	24.0	19.7
Outreach, with jib (m)	-	-	31.8
Outreach, with jib, with manual extension (m)	-	-	33.3
Outreach, with jib, extra long support out (m)	-	-	33.3
Outreach, with jib, extra long support out, with manual extension (m)	-	-	34.8
Outreach / lifting capacity, with hydraulic extension, first boom 18°, Second boom horizontal (m/kg)	4.7 / 18000	4.4 / 18000	4.4 / 18000
	6.2 / 13300	6.3 / 12300	6.1 / 13000
	8.0 / 10100	8.0 / 9300	7.8 / 9800
	9.9 / 8000	9.7 / 7300	9.5 / 7800
	11.9 / 6600	11.6 / 5800	11.4 / 6200
	14.1 / 5500	13.6 / 4750	13.4 / 5200
	16.3 / 4700	15.5 / 4050	15.3 / 4450
	-	17.6 / 3450	17.4 / 3850
	-	19.6 / 3050	19.4 / 3450
	-	21.8 / 2720	-
Outreach / lifting capacity with jib, (extra long jib support out) (m/kg)	-	-	24.2 / 1540
	-	-	25.5 / 1440
	-	-	26.8 / 1340
	-	-	28.2 / 1260
	-	-	29.7 / 1060
	-	-	31.4 / 860
Outreach / lifting capacity with jib, manual extension (m/kg)	-	-	33.1 / 720
	-	-	34.5 / 620
Slewing angle (°)	endless	endless	endless
Height in folded position without / with jib (mm)	2589 / -	2602 / -	2507 / 2734
Width in folded position without / with jib (mm)	2538 / -	2538 / -	2538 / 2550
Installation space needed without / with jib (mm)	1734 / -	1834 / -	1844 / 1856
Installation space needed (including rotation space) without / with jib (mm)	1813 / -	1913 / -	1923 / 1935
Weight, "standard" crane, without stabilisers (kg)	7119	8224	7833
Weight, jib without / with manual extension (kg)	-	-	1306 / 1360
Weight, frame attachments (kg)	66 - 265	66 - 265	66 - 265
Weight, stabiliser equipment, 9 m span (kg)	1192 - 1319	1192 - 1319	1192 - 1319

2. Dimensiones



Contacto SIMAR PERU:
 Email: comercial@simar.pe
 Celular: 947-368-014
 Web: www.simar.pe

3. Diagrama de Carga



Contacto SIMAR PERU:
Email: comercial@simar.pe
Celular: 947-368-014
Web: www.simar.pe