

GRUA TELESCOPICA RT 4x4

GROVE RT 890 de 90 Ton



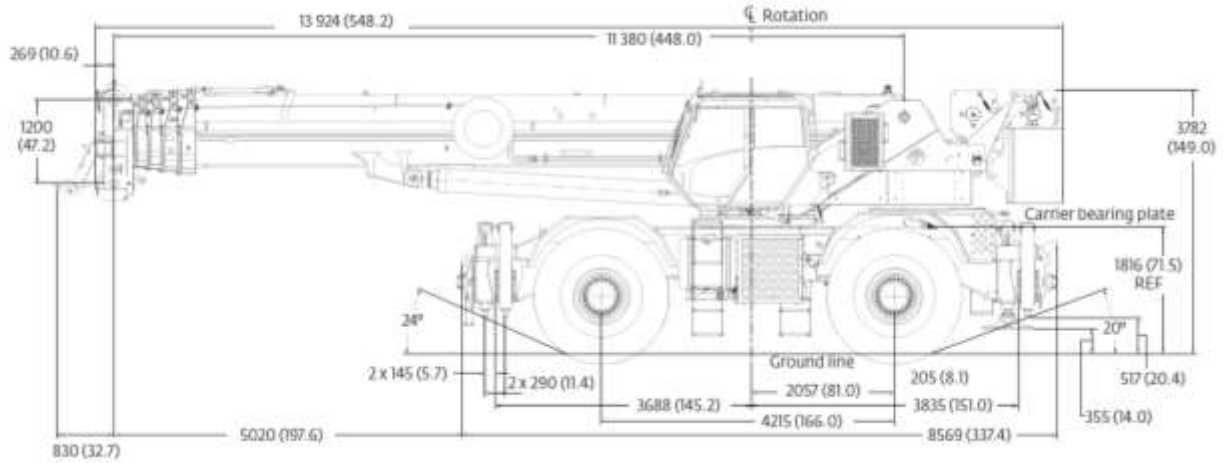
Contacto SIMAR PERU:

Email: comercial@simar.pe

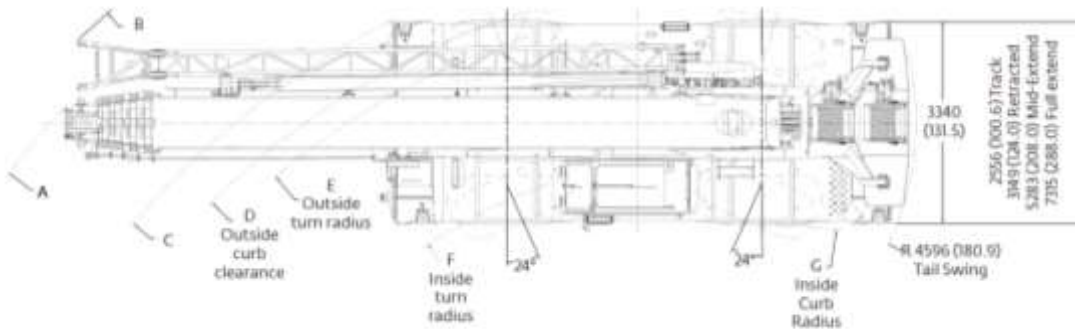
Celular: 947-368-014

Web: www.simar.pe

1. Dimensiones

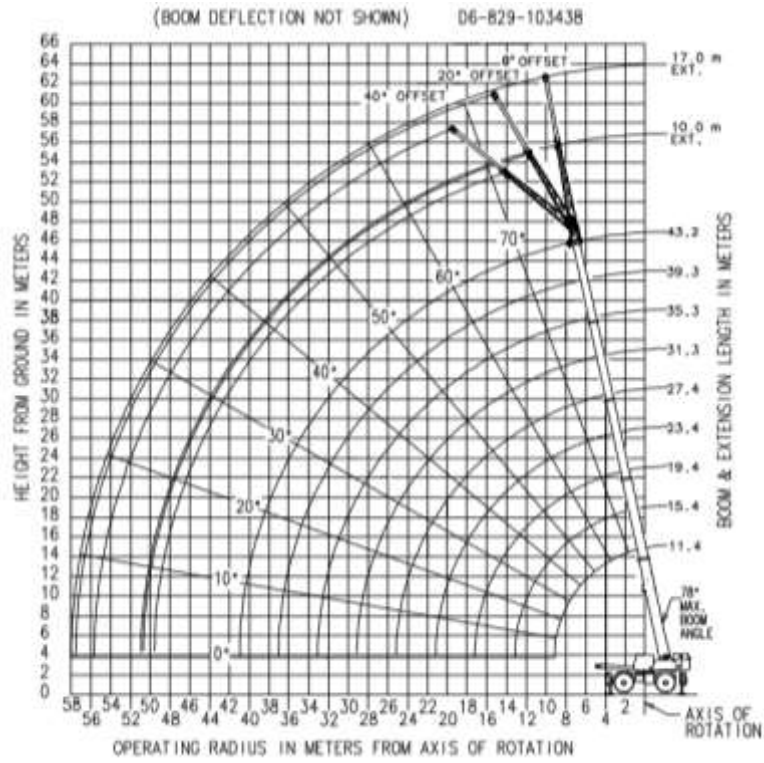


Tires	A	B	C	D	E	F	G	A	B	C	D	E	F	G
2534.25	16.7 m (54.79)	6.7 m (21.98)	10.5 m (34.45)	5.9 m (19.21)	5.5 m (18.03)	10.7 m (35.10)	4.8 m (15.75)	11.1 m (36.42)	5.4 m (17.72)	4.4 m (14.44)	7.8 m (25.59)	7.1 m (23.30)	4.9 m (16.08)	4.1 m (13.45)
	2 wheel steer							4 wheel steer						



Contacto SIMAR PERU:
 Email: comercial@simar.pe
 Celular: 947-368-014
 Web: www.simar.pe

2. Diagrama de Carga



Contacto SIMAR PERU:
 Email: comercial@simar.pe
 Celular: 947-368-014
 Web: www.simar.pe



ESPECIFICACIONES TECNICAS Y TABLA DE CARGA

F. Elaboración:
Abril 2018
Rev.: 00

GRUAS TELESCOPICAS RT

Página:
4 de 4

3. Tabla de carga

RATED LIFTING CAPACITIES IN KILOGRAMS WITH COUNTERWEIGHT - MODE A
11.4 m - 43.2 m BOOM

ON OUTRIGGERS FULLY EXTENDED - 360°

Radius in Meters	#0001							
	Main Boom Length in Meters							
	11.4	15.4	19.3	23.3	27.3	31.2	35.2	43.2
3	+80,000 (69)	60,775 (75)	*36,650 (78)					
3.5	72,500 (66)	60,775 (73)	36,650 (77)					
4	66,000 (63)	59,950 (71)	36,650 (75.5)	*17,550 (78)				
4.5	59,425 (60)	58,775 (69)	36,650 (74)	17,550 (77)				
5	54,000 (57)	53,000 (67)	35,375 (72)	17,550 (76)	*17,450 (78)			
6	45,475 (50)	45,000 (62.5)	32,450 (69)	17,550 (73.5)	17,450 (76.5)	*17,400 (78)		
7	38,975 (49)	39,100 (68)	29,850 (65.5)	17,550 (70.5)	17,450 (74.5)	17,400 (77)		
8	32,375 (32.5)	31,650 (63)	27,450 (62.5)	17,550 (68)	17,450 (72)	17,300 (75)	*11,050 (78)	
9	24,550 (17)	24,975 (68)	24,875 (68.5)	17,550 (65)	17,450 (70)	17,025 (73.5)	11,050 (76)	
10		20,400 (42.5)	20,375 (55)	17,550 (62.5)	17,000 (67.5)	15,875 (71.5)	11,050 (74.5)	*8,890 (78)
12		14,525 (27.5)	14,325 (47)	15,150 (56.5)	16,075 (62.5)	13,575 (67)	11,050 (71)	8,640 (75.5)
14			10,625 (37.5)	11,325 (50)	12,025 (57.5)	11,800 (63)	10,850 (67.5)	8,280 (72.5)
16	See Note 15		8,080 (24)	8,740 (42.5)	9,365 (52)	9,755 (58.5)	9,440 (63.5)	7,780 (69.5)
18				6,825 (34)	7,435 (46.5)	7,815 (54)	8,195 (60)	6,795 (66.5)
20				5,300 (21.5)	5,910 (39.5)	6,340 (49)	6,730 (56.5)	5,530 (63.5)
22					4,690 (31.5)	5,120 (43.5)	5,545 (51.5)	4,500 (60.5)
24					3,695 (20)	4,140 (37)	4,565 (46.5)	3,645 (57)
26						3,335 (29.5)	3,755 (41.5)	2,905 (54)
28						2,645 (19)	3,080 (36.5)	2,240 (50)
30							2,505 (28.5)	1,880 (46.5)
32							2,000 (18.5)	1,195 (42)
34								775 (37.5)

Contacto SIMAR PERU:
Email: comercial@simar.pe
Celular: 947-368-014
Web: www.simar.pe